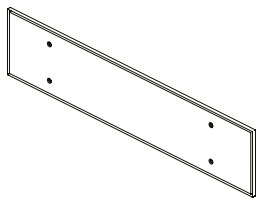
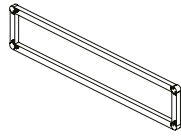


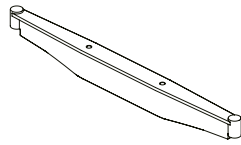
LINTEX  
Mounting Instruction A08  
Shelf and Glass



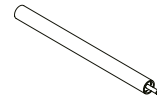
A x 5



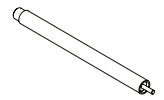
B x 2



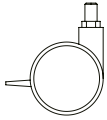
C x 2



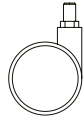
D x 12



E x 4



G x 2



F x 2



H x 4



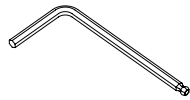
I x 4



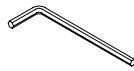
J x 4



K x 1



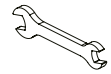
L x 1



M x 1



N x 4

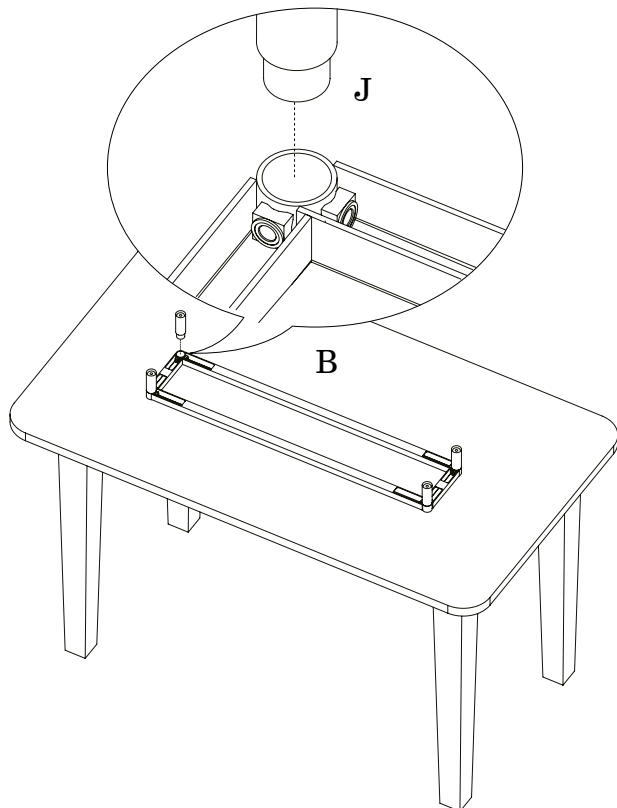


P x 1

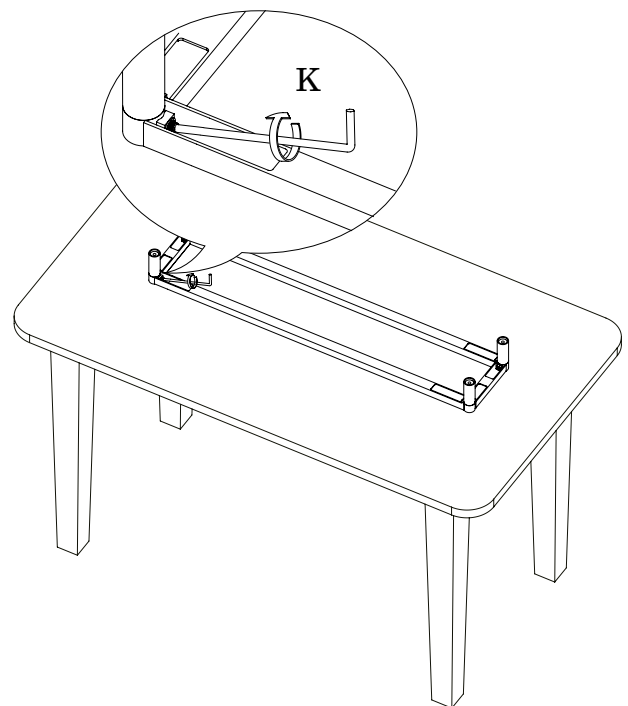


O x 4

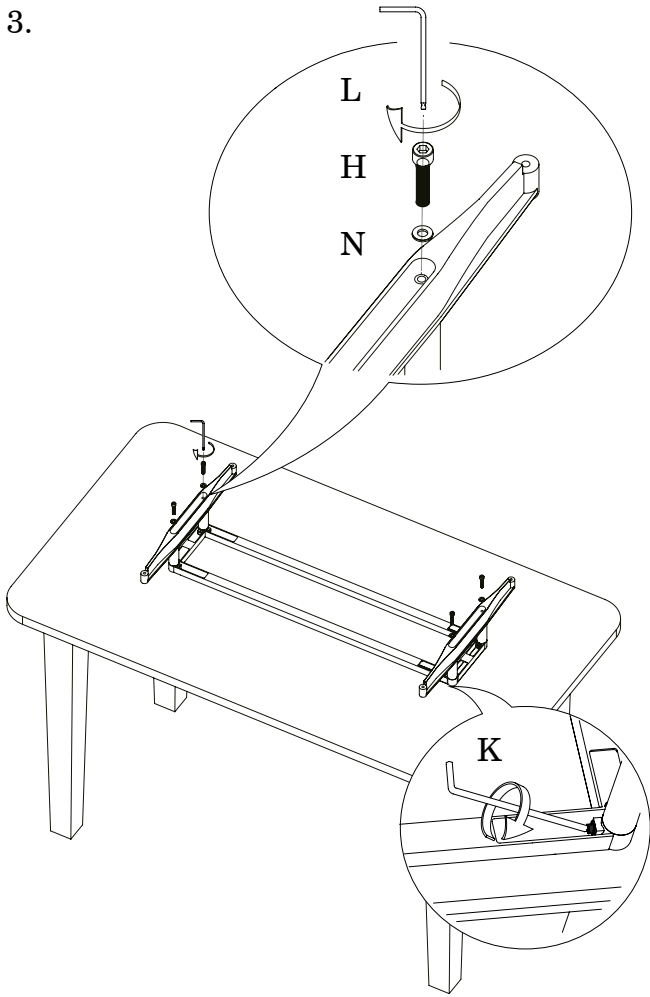
1



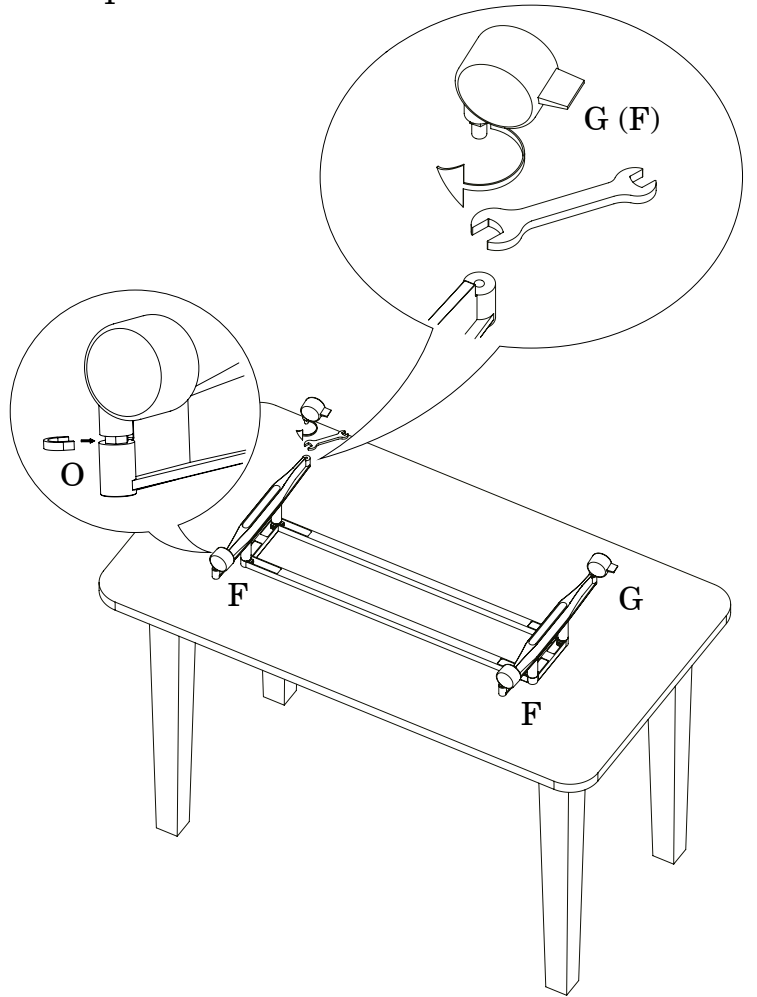
2



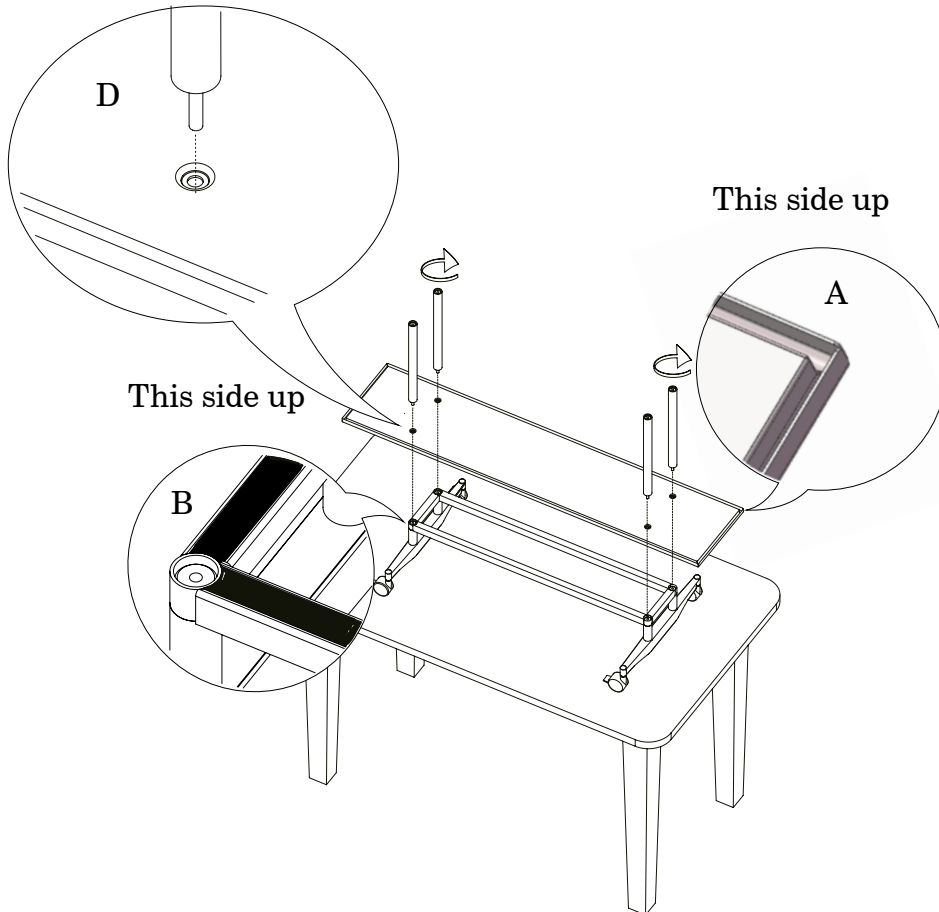
3.



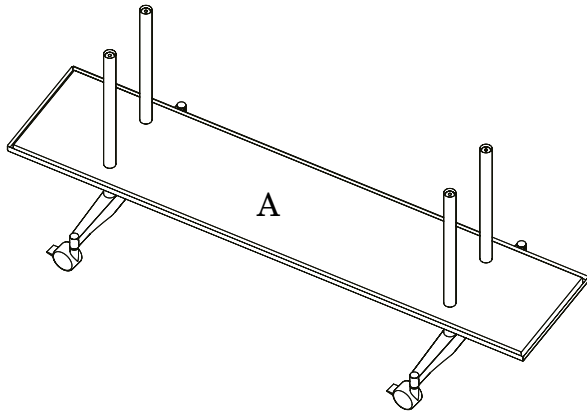
4



5.

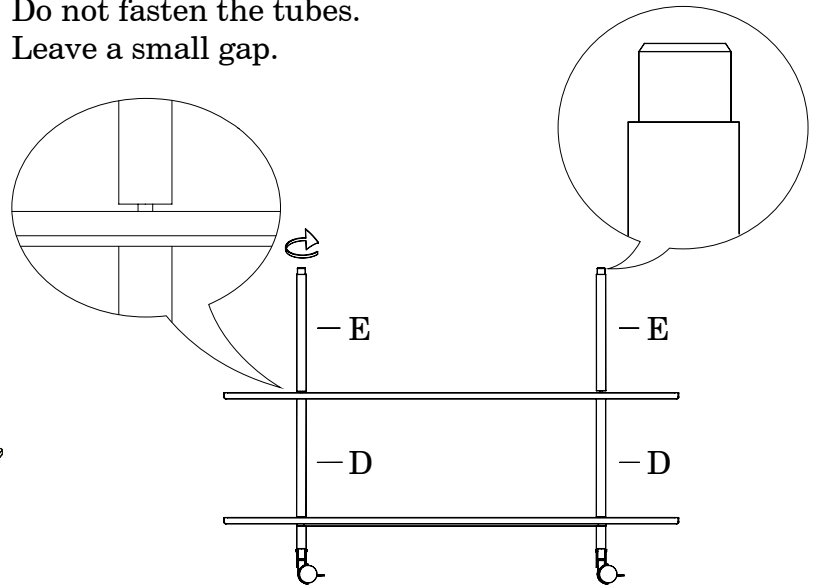


6.



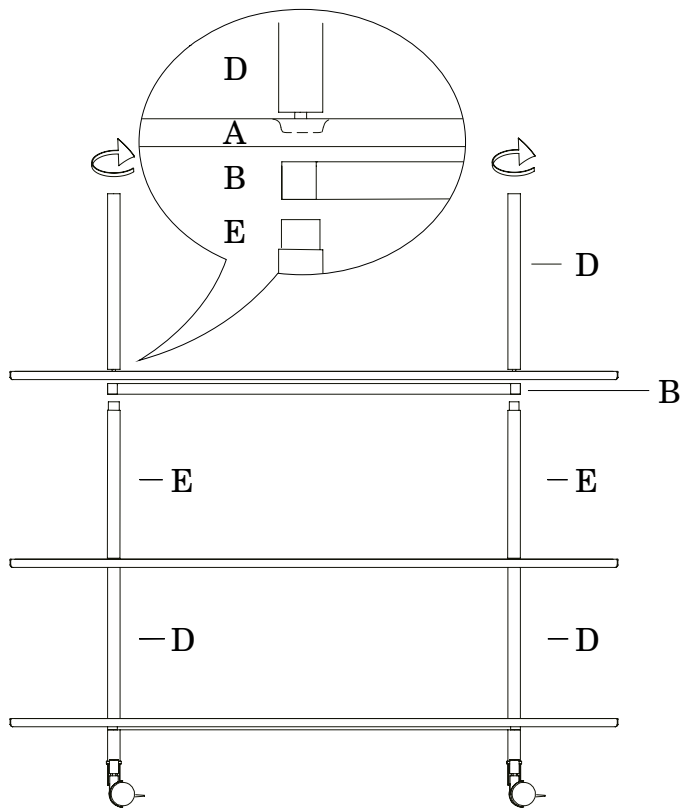
7.

Do not fasten the tubes.  
Leave a small gap.

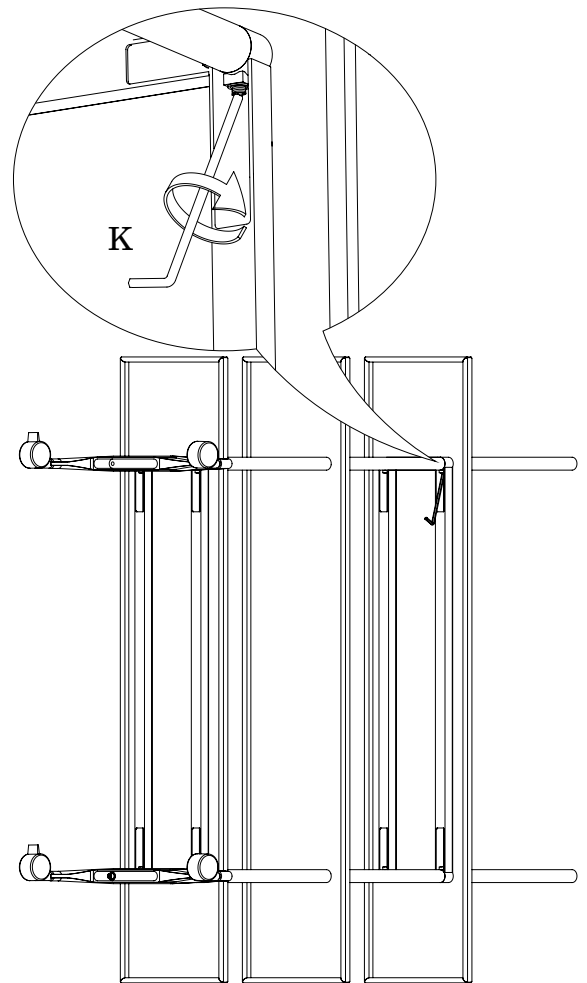


8.

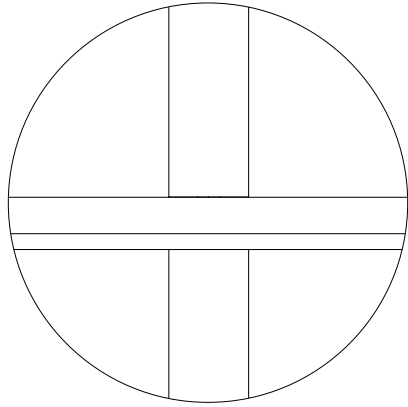
Do not fasten the tubes.  
Leave a small gap



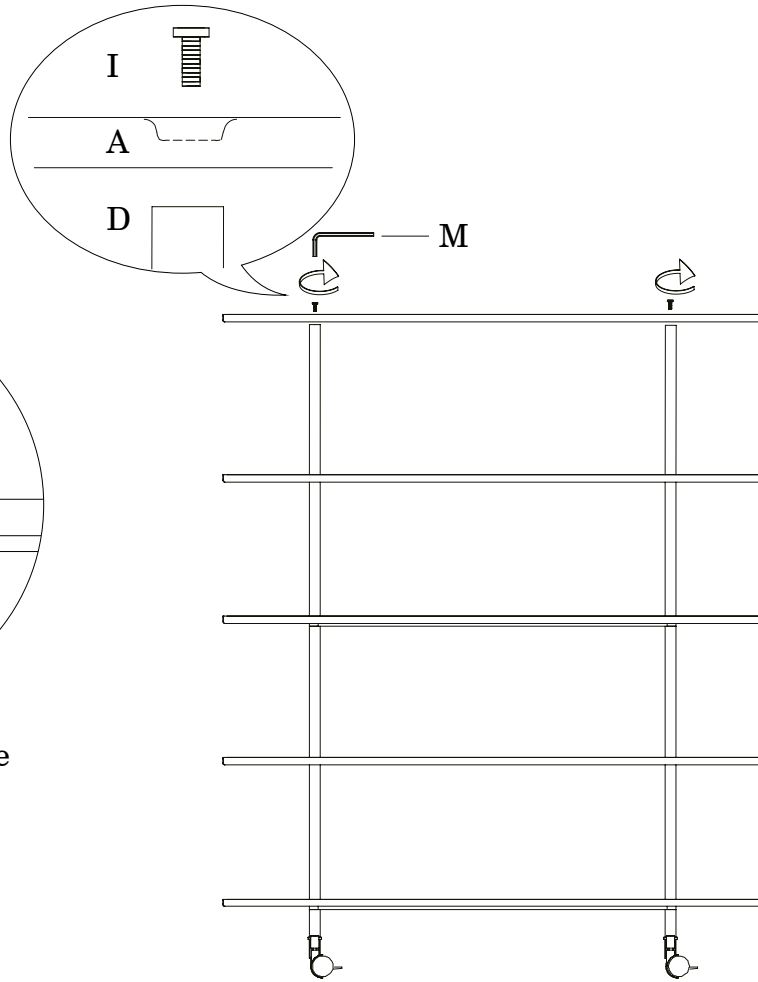
9.



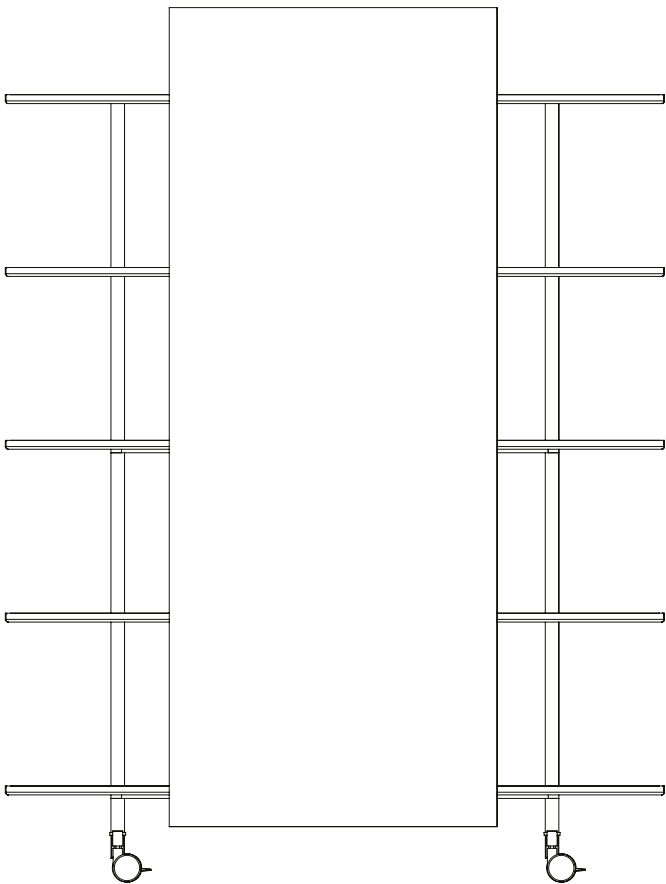
10.



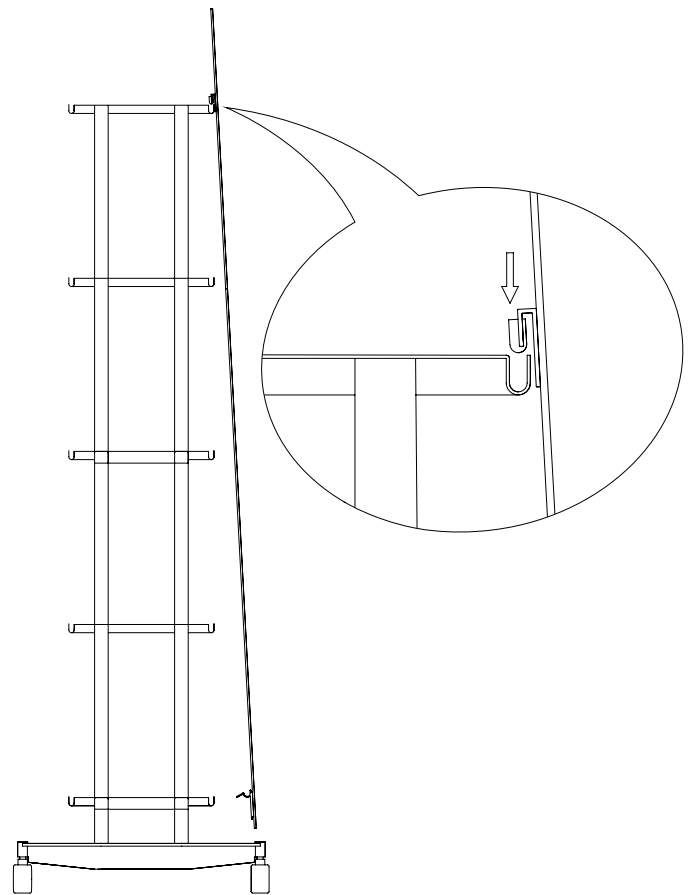
Secure and fasten all the screws and tubes



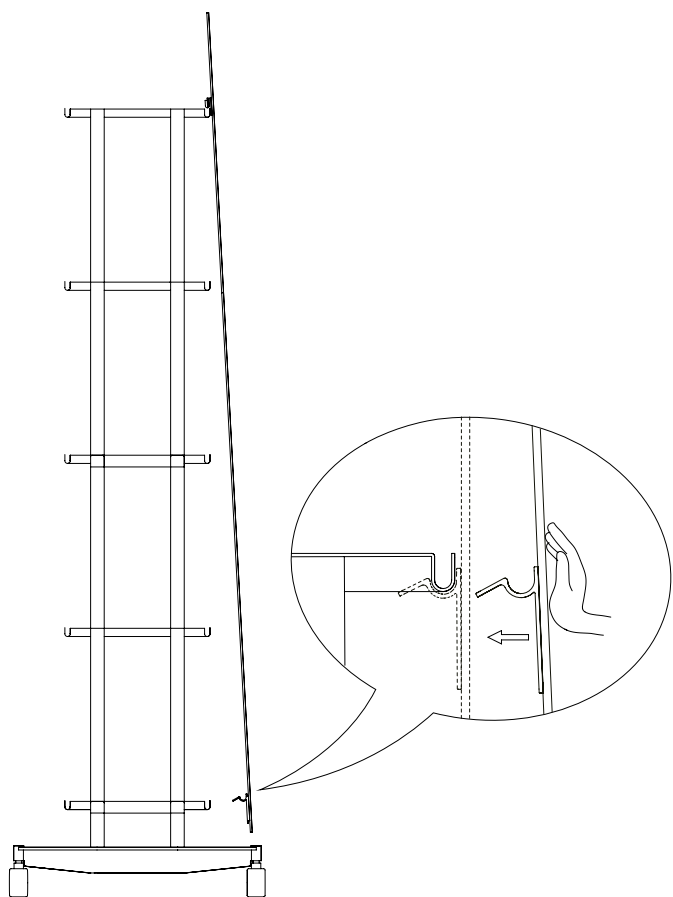
11.



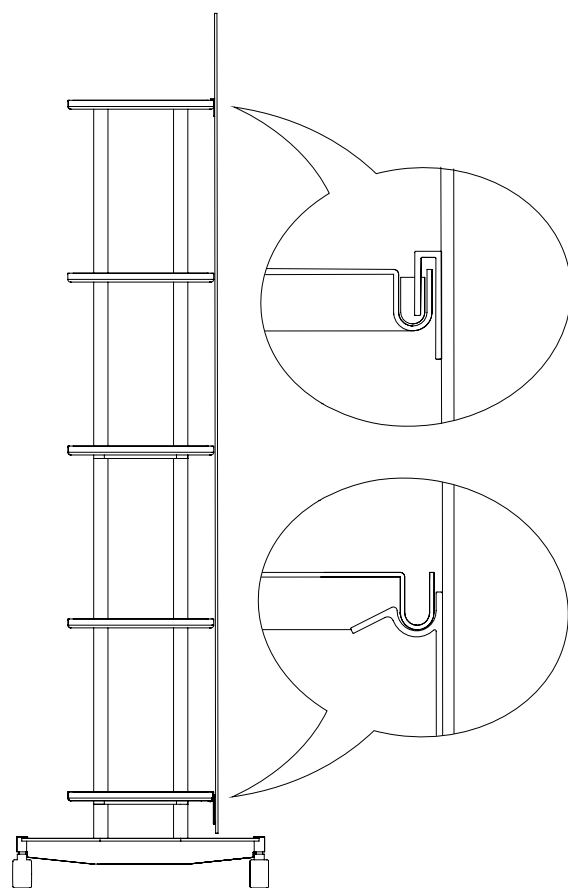
12.



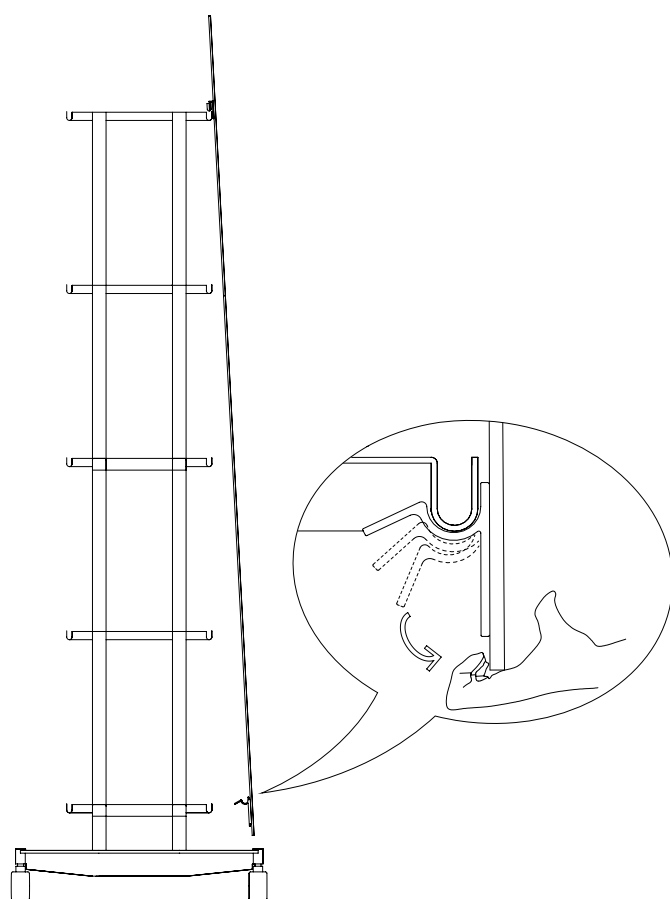
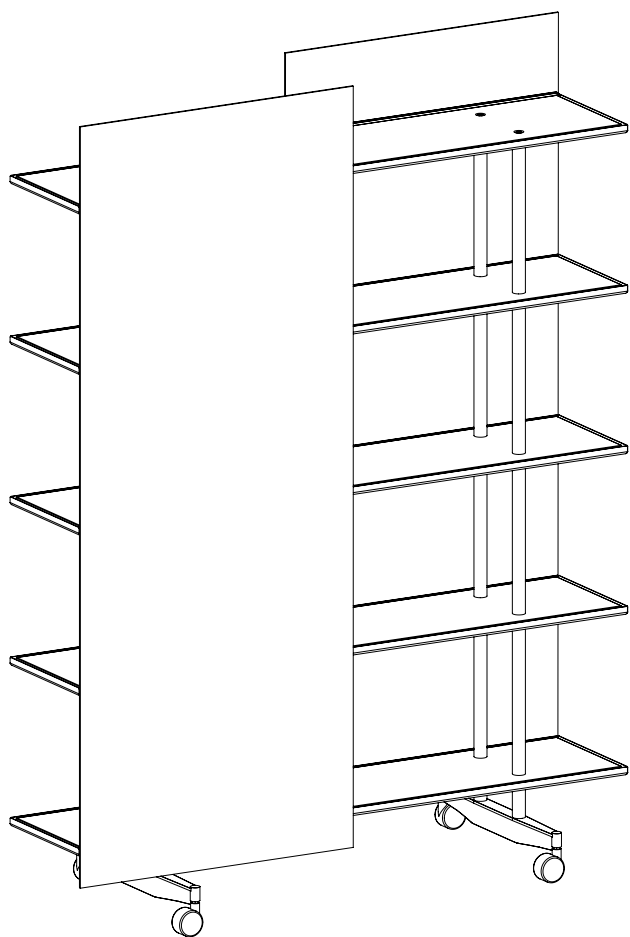
13.

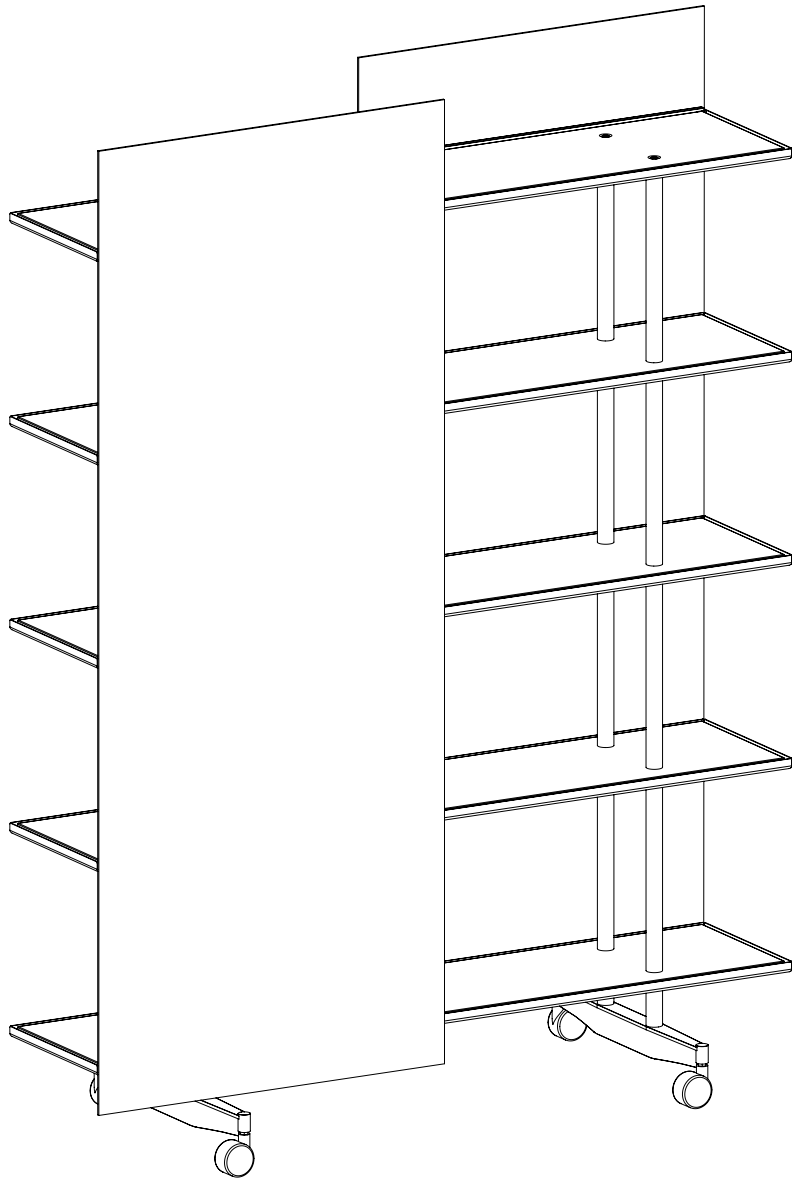


14.



For removing the glass.





LINTEX