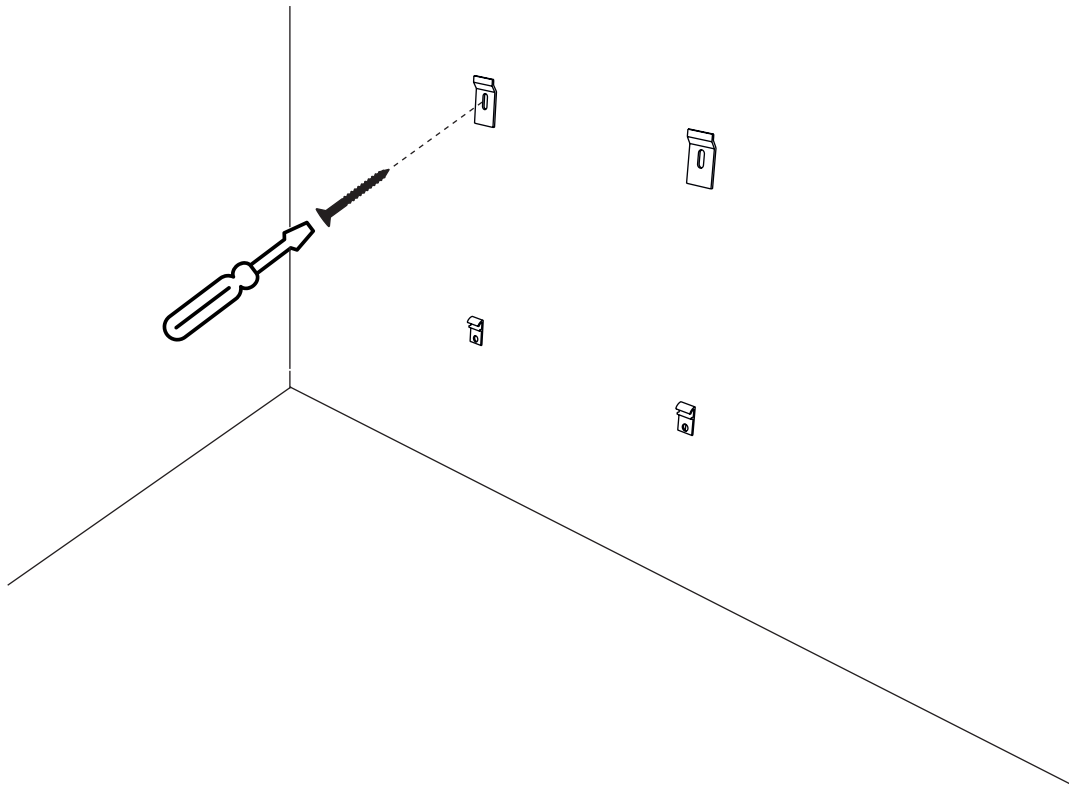


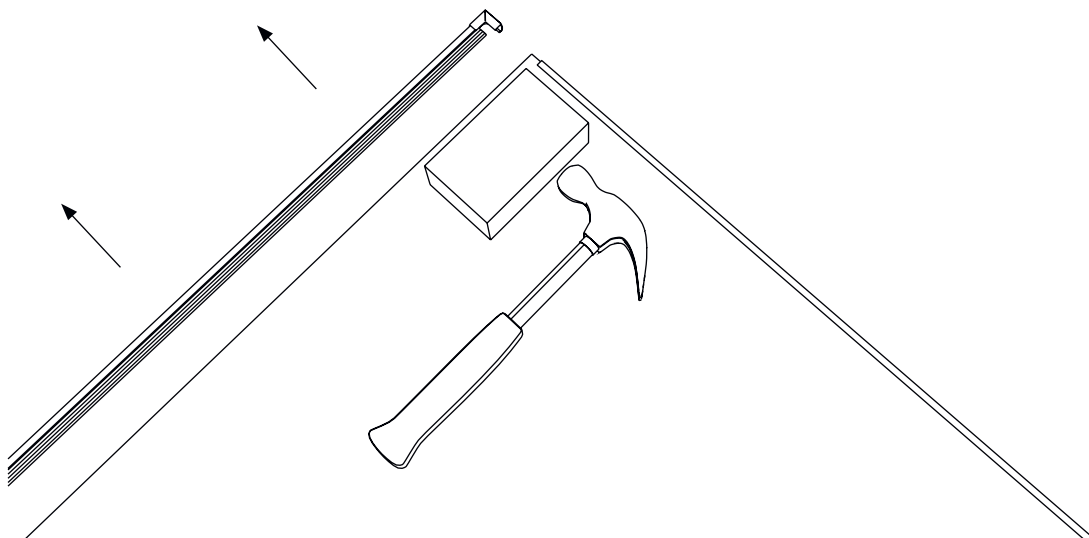
LINTEX

Boarder whiteboard

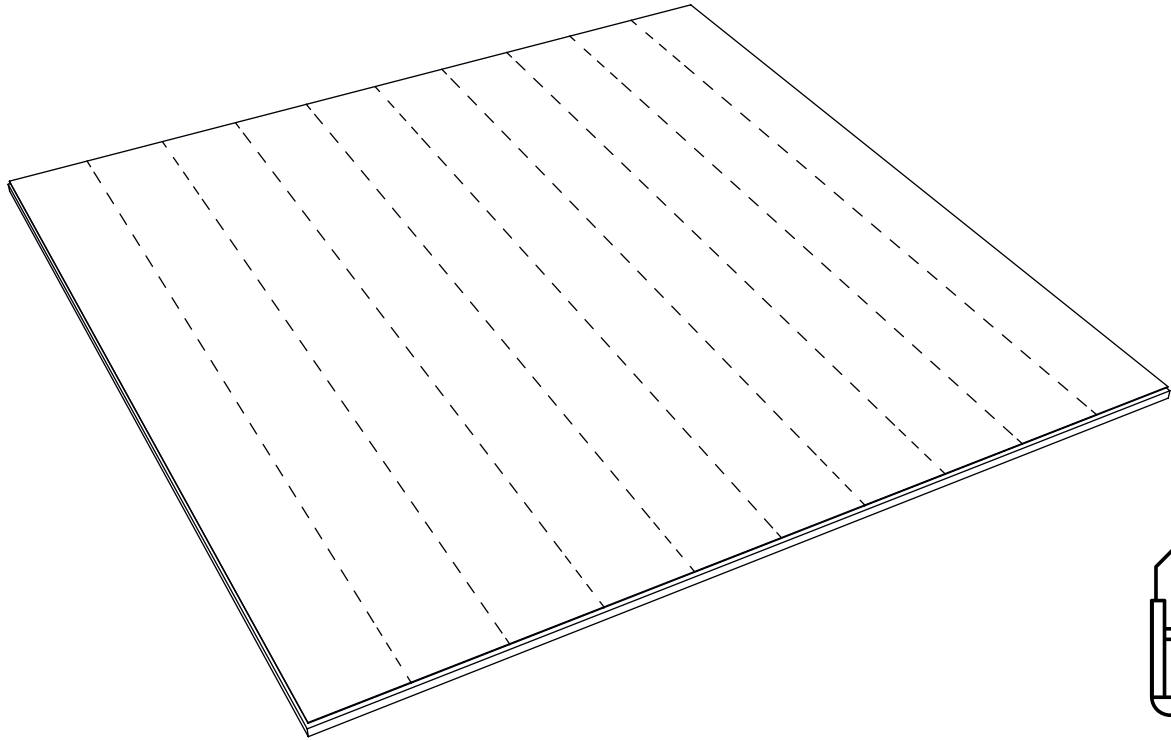
We make our products to last for a long time, and to be used over and over again.
But when they reach end-of-life, they should be demounted to enable material
reuse or recycling as far as possible.



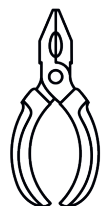
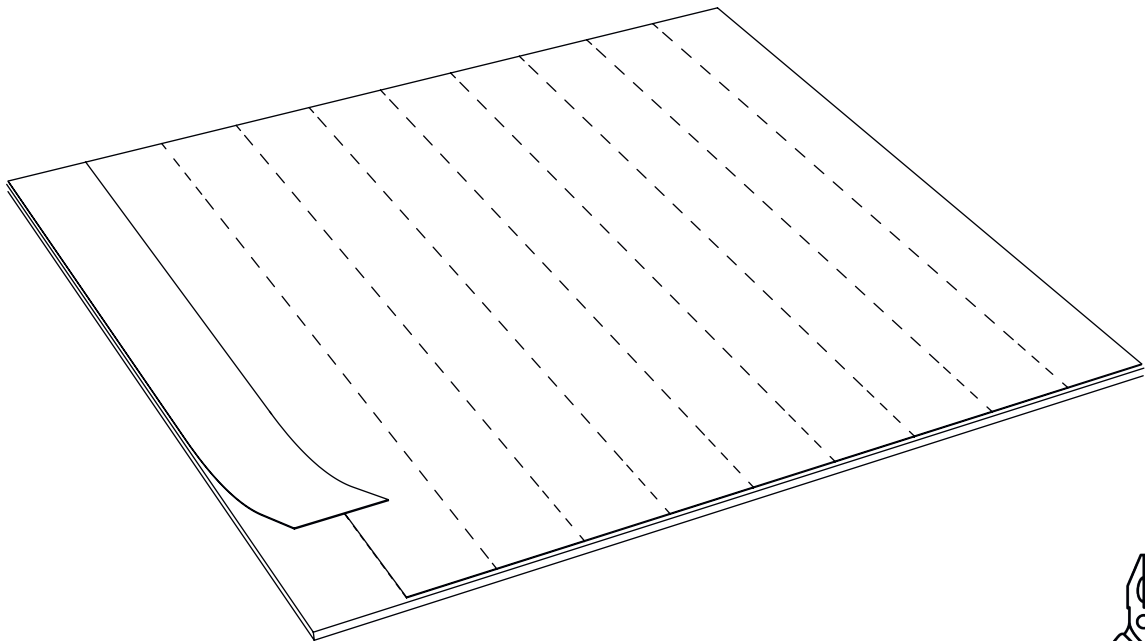
1. Remove brackets from wall



2. Remove the frame, including the pen shelf, from the whiteboard.
Separate the aluminum and plastic corners.



3. Cut the aluminum foil on the back into strips



4. Remove the aluminum foil on the back using pliers

We recommend our clients to use the products for a long time and thereafter resell them to another user.

Spare parts are available to prolong the life of the product. Contact us for requests.

When the product reaches end-of life, we recommend disassembly, where functioning parts are reused and the rest of the materials recycled according to national recycling systems.

The skill level required for disassembly is either layman, professional or specialist

| | Description /Do like this | Tools needed | Separated parts | Material recycling as |
|-----|---|------------------|-----------------------------|-----------------------|
| 1 | Remove brackets from wall* | Screwdriver | Brackets | Aluminium |
| 2 | Remove the frame, including the pen shelf, from the whiteboard. Separate the aluminum and plastic corners.* | Hammer and block | Aluminium frame and corners | Aluminium and plastic |
| 3-4 | Remove the aluminum foil on the back* | Knife and pliers | Aluminium back | Aluminium |
| 5 | Let a recycling station extract materials in the whiteboard*** | | | Steel Wood |

*Layman **Professional ***Specialist